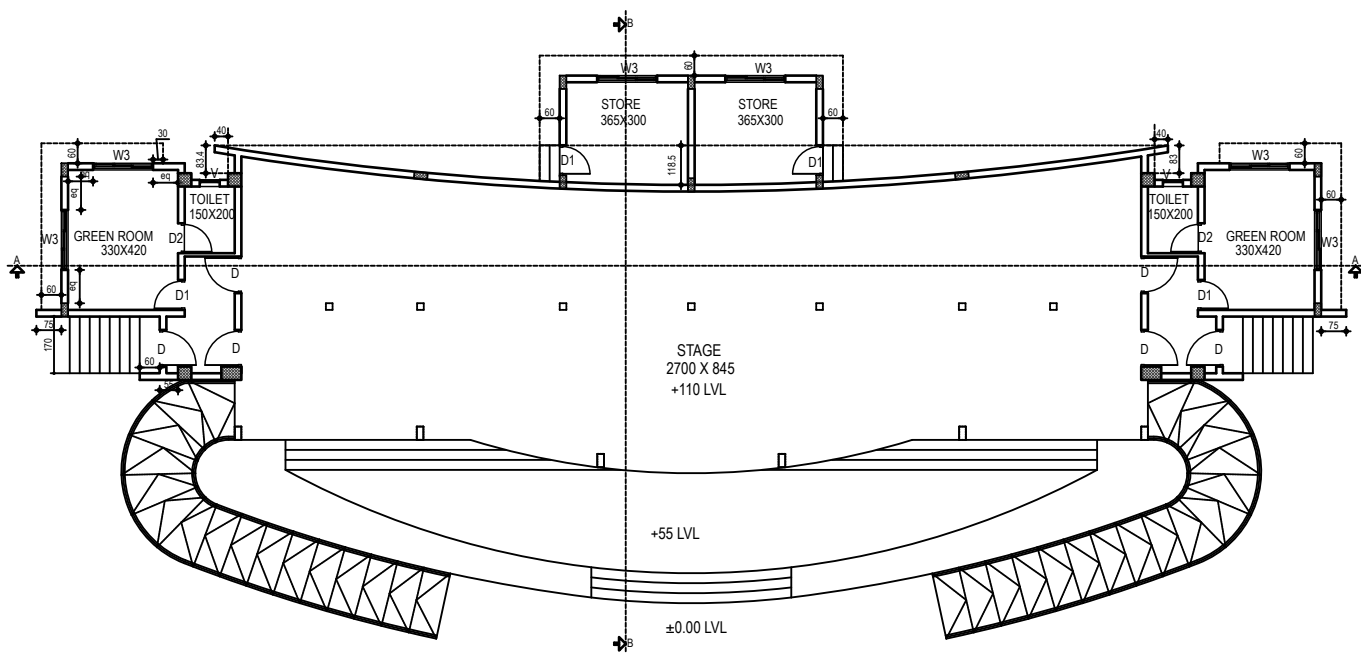


SECTION AA



- NOTES**
- ALL DIMENSIONS ARE IN CMS UNLESS OTHERWISE SPECIFIED
 - DRAWING NOT TO BE MEASURED AND ONLY WRITTEN DIMENSIONS ARE TO BE FOLLOWED
 - DRAWING TO BE READ ALONG WITH THE RELEVANT ARCHITECTURAL, STRUCTURAL & SERVICE PLANS BEFORE EXECUTION AT SITE
 - ANY DISCREPANCY SHOWN AT SITE SHALL BE BROUGHT TO THE NOTICE OF THE ARCHITECT

NR.	REVISION STATUS	DATE
1.		
2.		



PLAN

PROJECT TITLE:
PROPOSED FISAT STAGE

ARCHITECT:
SANTHOSH PAUL M
ARCHITECTS & ASSOCIATES
412/795-C3,
NORTH AVENUE,
PARAMARA ROAD,
KOCHI - 18

SHEET TITLE:
FLOOR PLAN

SCALE : 1:100 **DATE :** 07.04.2021

DRAWN BY : NAVYA **CHECKED BY:** ARUN

DRAWING NO : KOH/WD/SE-02

THIS DRAWING IS THE PROPERTY OF M/S SANTHOSH PAUL M. ARCHITECTS & ASSOCIATES AND CANNOT BE COPIED OR REPRODUCED PARTLY OR WHOLLY WITHOUT THE WRITTEN PERMISSION OF M/S SANTHOSH PAUL M. ARCHITECTS & ASSOCIATES.

